





Cod. PGP01



PGP01

PGA_

FOLD UP FOOTPEGS

Mounting kit sold separately / Kit attacchi venduti separatamente



Cod. PGA_driver

Cod. PGA_pass



00

01

DESCRIPTION	CODE
"Street" footpegs (pair) Pedane poggiapiedi "Street" (coppia)	PGP01

- Material: aluminum alloy
- Available for driver and passenger
- Interchangeable with the OEM footpegs
- Knurled finishing for a better grip

- Materiale: lega di alluminio
- Disponibili per passeggero e pilota
- Intercambiabile all'originale
- Grip elevato grazie alla godronatura



00 black
nero

01 ERGAL

02 blue
blu

03 gold
oro

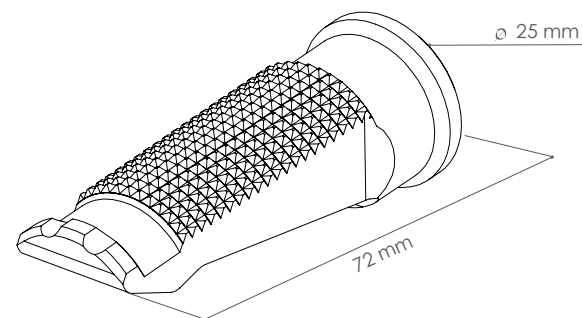
04 red
rosso

05 titanium
titanio

07 green
verde

16 orange
arancione

BIKE MODEL	YEAR	CODE	CODE
BMW		DRIVER	PASSENGER
F 800 R	09-14	PGA10	PGA60
DUCATI		DRIVER	PASSENGER
DIAVEL	11-17	PGA14	
SCRAMBLER	15-16	PGA15	PGA65
HONDA		DRIVER	PASSENGER
CBR 600 F	11-13	PGA02	PGA51
CBR 600 R / RR / ABS	03-16	PGA01	PGA51
CBR 1000 R / RR	04-16	PGA01	PGA51
	2017	PGA02	PGA67
HORNET 600	07-13	PGA02	PGA51
CB 1000 R / ABS	08-17	PGA01	PGA51
MV AGUSTA		DRIVER	PASSENGER
F3	11-17	PGA16	PGA16
DRAGSTER	14-17	PGA16	PGA16
B3	11-17	PGA16	PGA16
RIVALE	13-17	PGA16	PGA16
KAWASAKI		DRIVER	PASSENGER
ZX 6-636 R / RR / ABS	05-17	PGA03	PGA53
ZX 10 R	06-10	PGA03	PGA53
ZX 10 R / ABS	11-17	PGA11	PGA53
ER6N	05-08	PGA04	PGA53
	09-11	PGA05	PGA53



Application
list continue



Cod. PGP02



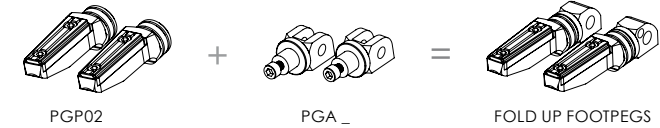
Cod. PGA_driver

Cod. PGA_pass

DESCRIPTION	CODE
"Touring" footpegs (pair) Pedane poggiapiedi "Touring" (coppia)	PGP02
Rubber footpegs (pair) Inserti gomma per poggiapiedi (coppia)	RP72

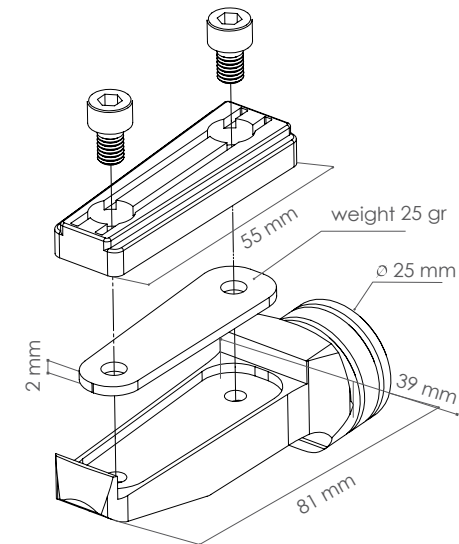
- Material: aluminum alloy
- Available for driver and passenger
- Interchangeable with the OEM footpegs
- Comfortable support in journeys of short or medium time
- Rubber coating and inside system designed to reduce vibrations

- Materiale: lega di alluminio
- Disponibili per passeggero e pilota
- Intercambiabile all'originale
- Grip elevato grazie alla godronatura
- Appoggio più confortevole nei tragitti di breve o media durata
- Rivestimento in gomma e sistema interno sviluppato per ridurre sensibilmente le vibrazioni



Mounting kit sold separately / Kit attacchi venduti separatamente

BIKE MODEL	YEAR	CODE	CODE
KAWASAKI		DRIVER	PASSENGER
Z 650	2017	PGA05	PGA53
Z 750 / R / ABS	03-13	PGA05	PGA53
Z 800 / R / ABS	13-16	PGA05	PGA53
Z 900	2017	PGA05	PGA53
Z 1000	03-09	PGA05	PGA53
	10-17	PGA04	PGA53
Z 1000 SX	10-16	PGA05	PGA53
SUZUKI		DRIVER	PASSENGER
GSX 600 / 750 R	06-17	PGA06	PGA56
GSX 1000 R	05-17	PGA06	PGA56
GSXS 750	2017	PGA06	PGA56
GSXS 1000	15-17	PGA06	PGA56
GSR 600	06-11	PGA06	PGA56
GSR 750	11-16	PGA06	PGA56
GLADIUS 650	09-15	PGA06	PGA56
SV650 ABS	16-17	PGA06	PGA56



Application
list continue



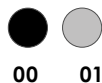
Cod. PGP03



Cod. PGA_driver



Cod. PGA_pass



DESCRIPTION	CODE
"Confort XL" footpegs (pair) Pedane poggiapiedi "Confort XL" (coppia)	PGP03
Rubber footpegs (pair) Inserti gomma per poggiapiedi (coppia)	RP72

- Material: aluminum alloy
- Available for driver and passenger
- Interchangeable with the OEM footpegs
- Rubber coating and inside system designed to reduce vibrations
- Largest support for a comfortable ride, suitable for tourist use

- Materiale: lega di alluminio
- Disponibili per passeggero e pilota
- Intercambiabile all'originale
- Appoggio maggiore per una guida confortevole, adatto ad un utilizzo turistico
- Rivestimento in gomma e sistema interno sviluppato per ridurre sensibilmente le vibrazioni



PGP03 + PGA_ = FOLD UP FOOTPEGS
Mounting kit sold separately / Kit attacchi venduti separatamente

BIKE MODEL	YEAR	CODE	CODE
SUZUKI		DRIVER	PASSENGER
B-KING	07-12	PGA06	PGA56
YAMAHA		DRIVER	PASSENGER
R6	03-17	PGA07	PGA57
R1	02-17	PGA07	PGA57
XJ6	09-15	PGA08	PGA58
FZ1	06-15	PGA07	PGA59
FZ6	04-11	PGA08	PGA58
FZ8	10-16	PGA08	PGA59
MT07 / ABS	14-17	PGA08	PGA58
MT09 / ABS	13-16	PGA13	PGA58
MT10	16-17	PGA07	PGA58
T-MAX	08-15		PGA58
TRIUMPH		DRIVER	PASSENGER
DAYTONA 675	06-16	PGA12	PGA62
SPEED TRIPLE / R	11-15	PGA12	PGA62
STREET TRIPLE / R	07-16	PGA12	PGA62

